



Model(s): PL-14000, PL-14000-20, PL-14000-18, PL-14000XL

Description: 3-Stacker Parking Lift

The PL-14000 series by BendPak are 4-post parking lifts designed for indoor or outdoor operation providing a cost effective way to triple the capacity of typical parking areas. The 3-level PL-14000 is the ultimate space saver allowing three vehicles to be stacked in a single parking space. Shared, ganged columns increase value by reducing the number of components required for multi-unit installations. Each lift uses a specially designed base frame that distributes the load making these unique lifting systems suitable for installation on virtually any residential or commercial concrete floor.

Each PL-14000 model has different deck spacing heights that can accommodate both cars and SUVs. They can be configured as individual stand-alone parking stations or combined into rows of multiple units. When installed in rows of multiple units, the lifts share ganged columns dramatically increasing space efficiency. The rugged built design utilizes a dependable hydraulic and cable-based lifting system for ultimate efficiency and safe operation.

Each stacking system incorporates many distinctive features such as a full-width platform to keep bottom vehicles protected, single hydraulic lifting cylinder combined with heavy-duty steel lifting cable, automatic safety locks and reliable, ergonomic hydraulic power unit.

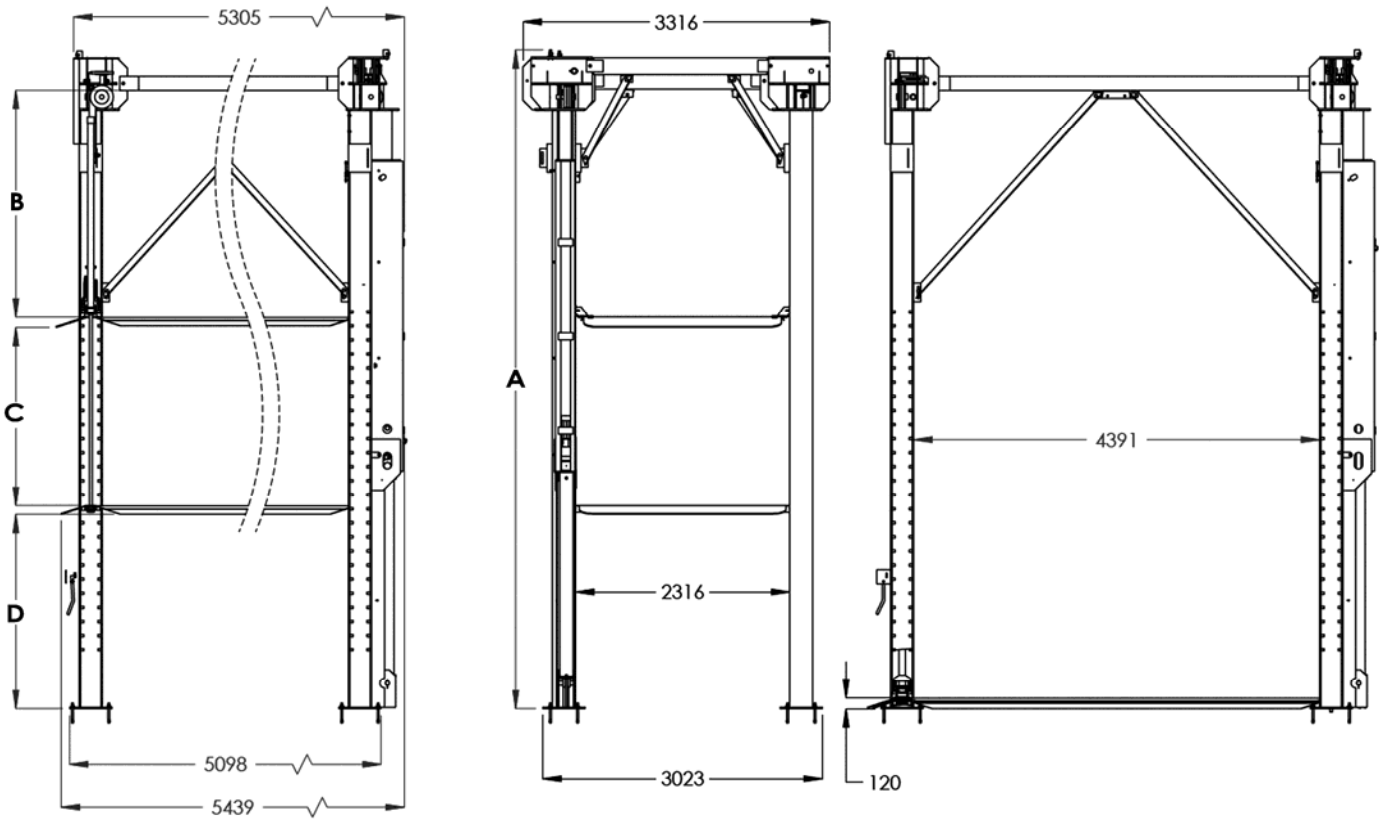
These state-of-the-art lifting systems are well suited for commercial parking environments and are powered by independent electric-hydraulic pump units or a multi-unit power station pump system that can operate up to 10 lifts depending on the configuration, layout, and other technical factors. They can be configured for 208-230-volt, 380-volt or 440-volt operation with International voltages also available. Multi-unit pump systems require their own dedicated 3-phase power circuit.

At BendPak, we believe in creating solutions that simplify your life. Our history of manufacturing excellence began more than 45 years ago and we continue to design and manufacture innovative car parking solutions with features and operating characteristics that meet customer requirements for quality, reliability, safety, and value.

FEATURES

- 7,000 lb. capacity per deck / 14,000 lb. capacity total
- Perfect for cars, light trucks, motorcycles and ATV's
- Rugged I-beam and C-channel construction
- Built-in wheel stops
- Wide base-plate for maximum stability
- Front and rear wheel chocks
- Two-position fail safe locking system
- Superstructure features durable powder-coat finish
- Platforms hot dip galvanized per ASTM standards
- Single hydraulic cylinder with heavy-duty steel lifting cable
- Heavy-duty steel construction
- Reliable electric-hydraulic power system
- Full-width platform to keep bottom vehicles protected
- Simple controls





MODEL	PL-14000	PL-14000-20	PL-14000-18	PL-14000XL
Max Lifting Capacity / Total*	14,000 lbs. / 6350 Kg.	14,000 lbs. / 6350 Kg.	14,000 lbs. / 6350 Kg.	14,000 lbs. / 6350 Kg.
*Max Capacity / Per Deck	7,000 lbs. / 3175 Kg.	7,000 lbs. / 3175 Kg.	7,000 lbs. / 3175 Kg.	7,000 lbs. / 3175 Kg.
Column Spacing / Overall Width	119" / 3023 mm.	119" / 3023 mm.	119" / 3023 mm.	119" / 3023 mm.
Overall Length	194" / 4931 mm.	194" / 4931 mm.	194" / 4931 mm.	214" / 5439 mm.
Platform Length / Max Wheelbase	137" / 3480 mm.	137" / 3480 mm.	137" / 3480 mm.	157" / 3988 mm.
A - Overall Height	280.3" / 7121 mm.	234" / 5944 mm.	210" / 5334 mm.	280.3" / 7121 mm.
B - Upper Platform Spacing	96.5" / 2451 mm.	81" / 2079 mm.	73" / 1854 mm.	96.5" / 2451 mm.
C - Middle Platform Spacing	75.5" / 1921 mm.	61" / 1549 mm.	53" / 1346 mm.	75.5" / 1921 mm.
D - Bottom Spacing	82.5" / 2100 mm.	68" / 1728 mm.	60" / 1524 mm.	82.5" / 2100 mm.
Drive-Thru-Clearance	91" / 2316 mm.	91" / 2316 mm.	91" / 2316 mm.	91" / 2316 mm.
Lifting Time / Max Rise	145 Seconds	140 Seconds	135 Seconds	145 Seconds
Standard Motor (**)	220 VAC / 60 Hz. 1Ph.	220 VAC / 60 Hz. 1Ph.	220 VAC / 60 Hz. 1Ph.	220 VAC / 60 Hz. 1Ph.
** Special Voltages Available Upon Request.				
The design, material and specifications are subject to change without notice.				