



**Brand: BendPak**  
**Model: XPR-10AXLS**  
**Description: 10K Cap. / Asymmetric Clearfloor / Adjustable Width / Screw Pads / HIGH RISE / EXTRA TALL**

**The XPR-10AXLS Offers Extended Height PLUS 75" Cylinder Stroke**

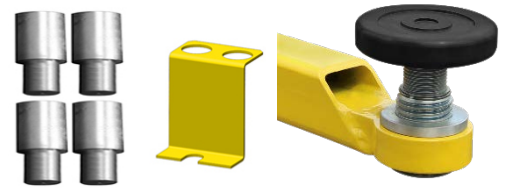
10K car lifts don't offer taller lift carriages or get easier to work under than this. If you need maximum security and an extended working height that's ideal for taller individuals, you need the BendPak XPR-10AXLS. This particular two-post lift features an absolutely massive 75" cylinder stroke, which means we did more than just extend the columns for the sake of overhead clearance. We actually lift the bottom of the vehicle 6" higher than our standard 10K lift height. True safety in a car lift requires tall carriages; higher carriages eliminate balance issues than come into play when lifting trucks and SUVs.



This car lift is truly something to get excited about. If your shop has the overhead clearance—at least 13'—the XPR-10AXLS might be the best lift you ever purchase. The big n' tall techs in your shop won't forget it!

**Features**

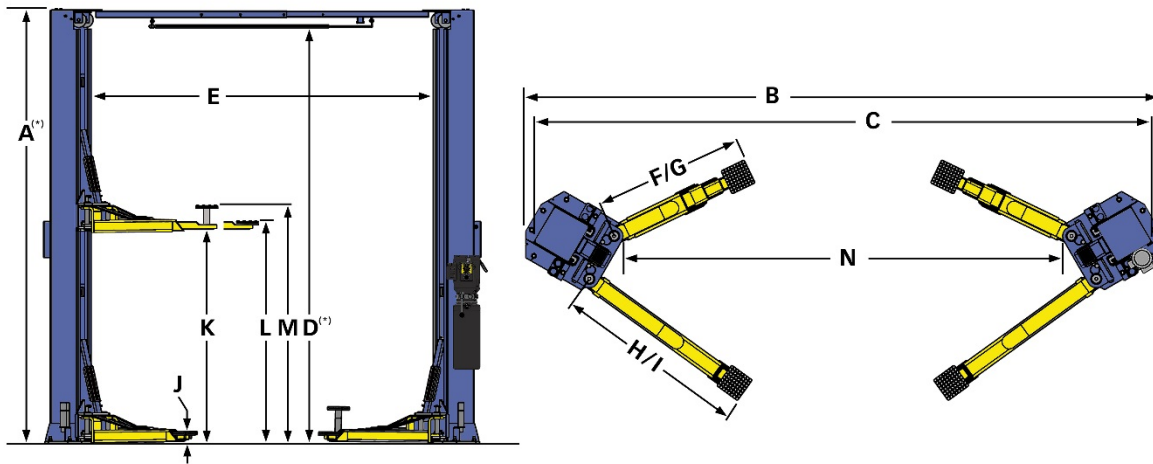
- 10,000-lb. lifting capacity
- Double-telescoping screw pads offer increased versatility
- Padded overhead safety shutoff bar
- Exclusive Tru-Metric arm design for more versatile arm positioning
- 30° rotated single-piece columns
- Single-point safety release
- Drop-end arms provide a lower pad height
- Dual hydraulic direct-drive cylinders
- Oversized 59" tall carriage for superior strength and durability
- Electric / hydraulic power system
- Large, 17" x 19" A36 steel base plate
- Self-lubricating dura-glide UHMW polyethylene bearing system
- Safety locks in each column spaced every 3"
- Automatic arm restraints
- Heavy-duty 1/2" aircraft-quality equalizer cables
- Oversized cable sheave diameter reduces cable fatigue
- 4-piece 63mm stackable adapter set comes standard
- ALI Certified



Featuring double-telescoping screw pads and stackable risers



Lift arms shown with optional foot guards



**TWO-POST MODEL / HEAVY-DUTY / ASYMMETRIC**

MODEL	XPR-10AXLS
Lifting Capacity*	10,000 lbs. / 4,536 kg
*Max Capacity / Front Axle	5,000 lbs. / 2,268 kg
*Max Capacity / Rear Axle	5,000 lbs. / 2,268 kg
A - Height Overall:	151" / 3,835 mm
B - Width Overall - NARROW CONFIGURATION	132" / 3,353 mm
B - Width Overall - WIDE CONFIGURATION	145" / 3,683 mm
C - Width Outside of Columns: (NARROW CONFIG.)	126-3/4" / 3,225mm
C - Width Outside of Columns: (WIDE CONFIGURATION)	139-3/4" / 3,555 mm
D - Floor To Overhead Switch:	147" / 3,734 mm
E - Inside Columns: (NARROW CONFIGURATION)	105.5" / 2,680 mm
E - Inside Columns: (WIDE CONFIGURATION)	118.5" / 3,010 mm
F - Reach (Front Arm Min.):	28-1/2" / 724 mm
G - Reach (Front Arm Max.):	47-1/2" / 1,206 mm
H - Reach (Rear Arm Min.):	28-1/2" / 724 mm
I - Reach (Rear Arm Max.):	47-1/2" / 1,206 mm
J - Min. Pad Height:	4.25" – 6-3/4" / 108 mm
Screw Pad Adjustment:	2" / 51mm
K - Rise:	75" / 1,905 mm
L - Max Lift Height (With Pad):	79" - 81" / 2,007– 2,057 mm
M - Max Lift Height (Pad + 63 mm Adapter):	81.5" - 83.5" / 2,070 mm – 2,121 mm
N - Drive-Thru Clearance: (NARROW CONFIGURATION)	93" / 2,362 mm
N - Drive-Thru Clearance: (WIDE CONFIGURATION)	106" / 2,692 mm
Motor (*)	220 VAC / 60 Hz / 1 Ph
Time of full Rise:	45 sec
Max Load Per Arm:	2,500 lbs. / 1,134 kg

\* Special Voltages Available Upon Request.

The design, material and specifications are subject to change without notice.