



**Brand: BendPak**  
**Model: XPR-10S**  
**Description: 10,000-lb. Capacity Two-Post Lift / Screw Pads / Symmetric Clearfloor**

### The Perfect Car Lift Solution

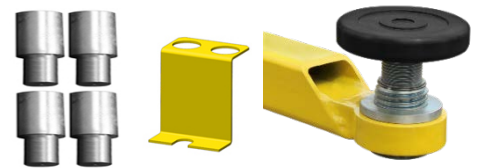
Our XPR-10S symmetric two-post lift features an adjustable top beam to accommodate wide or narrow installation set-ups. This unique configurable design allows you to choose the best setting for your specific space or vehicle lifting requirements. The highly sophisticated yet simple and dependable XPR-Series design requires very little service or maintenance for an overall lower cost of ownership. All BendPak's XPR two-post models feature dual "direct-drive" low-pressure cylinders, maintenance-free UHMW load bearings, single-piece columns, extra-tall lifting carriages and triple-telescoping arm configuration for increase arm positioning versatility.



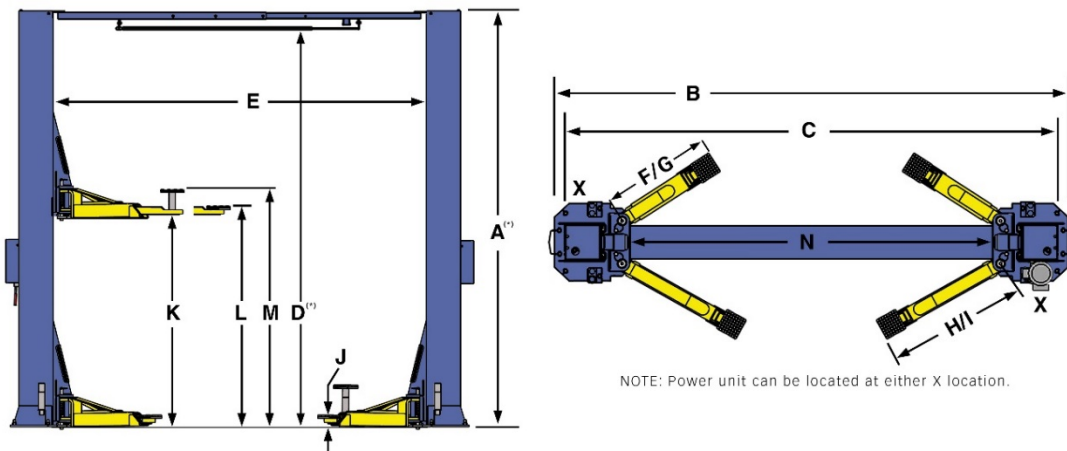
The XPR-10S features double-telescoping screw pads with gouge and tear-resistant polyurethane pads to help increase workplace safety and reduce operating costs. A set of our 63 mm stacking adapters included as standard accessories.

### Features

- 10,000-lb. lifting capacity
- Expandable top beam accommodates wide or narrow drive-thru configuration
- Double-telescoping screw pads offer increased versatility
- Padded overhead safety shutoff bar
- Telescoping arm design for more versatile arm positioning
- Single-piece columns
- Single-point safety release
- Drop-end arms provide a lower pad height
- Dual hydraulic direct-drive cylinders
- Oversized 53" tall carriage for superior strength and durability
- Electric / hydraulic power system
- Large, 17" x 19" A36 steel base plate
- Self-lubricating dura-glide UHMW polyethylene bearing system
- Safety locks in each column spaced every 3"
- Automatic arm restraints
- Heavy-duty 1/2" aircraft-quality equalizer cables
- Oversized cable sheave diameter reduces cable fatigue
- 4-piece 63 mm stackable adapter set comes standard
- Triple-telescoping front arms
- ALL certified



Double-telescoping screw pads and stackable risers



### TWO-POST MODEL / HEAVY-DUTY / SYMMETRIC

MODEL	XPR-10S
Lifting Capacity*	10,000 lbs. / 4536 kg
*Max Capacity / Front Axle	5,000 lbs. / 2268 kg
*Max Capacity / Rear Axle	5,000 lbs. / 2268 kg
A - Height Overall: (*)	145" / 3,683 mm
B - Width Overall - NARROW CONFIGURATION	132" / 3,353 mm
B - Width Overall - WIDE CONFIGURATION	145" / 3,683 mm
C - Width Outside of Columns: (NARROW CONFIGURATION)	126-3/4" / 3,225 mm
C - Width Outside of Columns: (WIDE CONFIGURATION)	139-3/4" / 3,555 mm
D - Floor To Overhead Switch: (*)	141" / 3,581 mm*
E - Inside Columns: (NARROW CONFIGURATION)	105.5" / 2,680 mm
E - Inside Columns: (WIDE CONFIGURATION)	118.5" / 3,010 mm
F - Reach (Front Arm Min.):	27-1/2" / 698 mm
G - Reach (Front Arm Max.):	51-1/2" / 1,308 mm
H - Reach (Rear Arm Min.):	34" / 863 mm
I - Reach (Rear Arm Max.):	54-1/2" / 1,384 mm
J - Min. Pad Height:	4.25" - 6-3/4" / 108 mm
K - Rise:	69" / 1,753 mm
L - Max Lift Height (Screw Pad Only):	73" - 75" / 1,854 - 1,905 mm
M - Max Lift Height (Screw Pad & 63mm Adapter):	75.5" - 77.5" / 1,917 mm - 1,968 mm
N - Drive-Thru Clearance: (NARROW CONFIGURATION)	93" / 2,362 mm.
N - Drive-Thru Clearance: (WIDE CONFIGURATION)	106" / 2,692 mm.
Screw Pad Adjustment:	2" / 51 mm.
Motor (**)	220 VAC / 60 Hz / 1 Ph
Time of full Rise:	45 sec
Max Load Per Arm:	2,500 lbs. / 1,134 kg

\* An optional bolt-on top extension for columns raises the overhead bar an additional 24". Must be ordered from factory at time of order.

\*\* Special Voltages Available Upon Request.

The design, material and specifications are subject to change without notice.