



Brand: BendPak
Model: XPR-10S-LP
Description: 10,000-lb. Capacity Two-Post Lift
Symmetric Clearfloor / Screw Pad Set / Low-Pro Arms

Clearfloor Versatility – Rugged Dependability

The safe and rugged XPR-10S-LP two-post lift features our exclusive Low-Pro™ arms that accommodate lowered sports cars and those vehicles with exclusive lift points located on the extreme outer edges of the chassis. A telescoping overhead structure provides the convenience of wide or narrow installation wrapped up into one configurable package. This unique configurable design allows you to choose the best setting for your specific space or vehicle lifting requirements.

The highly sophisticated yet simple and dependable XPR-Series design requires very little service or maintenance for an overall lower cost of ownership. All BendPak's XPR two-post models feature dual "direct-drive" low-pressure cylinders, maintenance-free UHMW load bearings, single-piece columns, extra-tall lifting carriages and triple-telescoping arm configuration for increase arm positioning versatility.

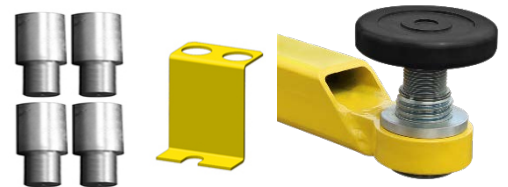
The XPR-10S-LP features double-telescoping screw pads with gouge and tear-resistant polyurethane pads to help increase workplace safety and reduce operating costs. A set of our 63 mm stacking adapters included as standard accessories.



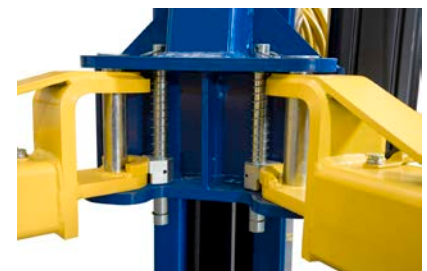
Low-Pro™ arms accommodate lowered vehicles

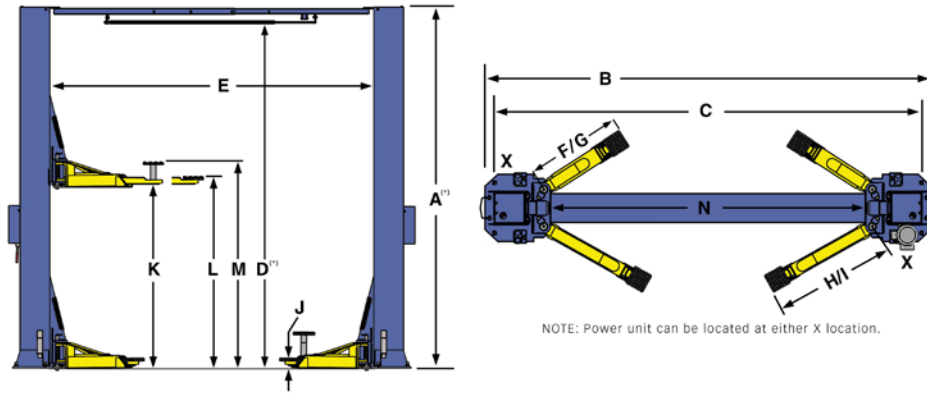
Features

- 10,000-lb. lifting capacity
- Telescoping Low-Pro™ arms accommodate lowered sports cars and those vehicles with lift points located on outer edges of the chassis
- Expandable top beam accommodates wide or narrow configuration
- Double-telescoping screw pads offer increased versatility
- Padded overhead safety shutoff bar
- Single-piece columns
- Dual hydraulic direct-drive cylinders
- Oversized 53" tall carriage for superior strength and durability
- Electric / hydraulic power system
- Large, 17" x 19" A36 steel base plate
- Self-lubricating dura-glide UHMW polyethylene bearing system
- Single-point safety release
- Safety locks in each column spaced every 3"
- Automatic arm restraints
- Heavy-duty 1/2" aircraft-quality equalizer cables
- Oversized cable sheave diameter reduces cable fatigue
- 4-piece 63 mm stackable adapter set comes standard
- ALL certified



Double-telescoping screw pads and stackable risers





TWO-POST MODEL / HEAVY-DUTY / SYMMETRIC

MODEL	XPR-10S-LP
Lifting Capacity*	10,000 lbs. / 4,536 kg
*Max Capacity / Front Axle	5,000 lbs. / 2,268 kg
*Max Capacity / Rear Axle	5,000 lbs. / 2,268 kg
A - Height Overall: (*)	145" / 3,683 mm
B - Width Overall - NARROW CONFIGURATION	132" / 3,353 mm
B - Width Overall - WIDE CONFIGURATION	145" / 3,683 mm
C - Width Outside of Columns: (NARROW CONFIGURATION)	126-3/4" / 3,225 mm
C - Width Outside of Columns: (WIDE CONFIGURATION)	139-3/4" / 3,555 mm
D - Floor To Overhead Switch: (*)	141" / 3,581 mm*
E - Inside Columns: (NARROW CONFIGURATION)	105.5" / 2,680 mm
E - Inside Columns: (WIDE CONFIGURATION)	118.5" / 3,010 mm
F - Reach (Front Arm Min.):	28-1/2" / 724 mm
G - Reach (Front Arm Max.):	47-1/2" / 1,206 mm
H - Reach (Rear Arm Min.):	28-1/2" / 724 mm
I - Reach (Rear Arm Max.):	47-1/2" / 1,206 mm
J - Min. Pad Height:	4.25" - 6-3/4" / 108 mm
K - Rise:	69" / 1,753 mm
L - Max Lift Height (Screw Pad Only):	73" - 75" / 1,854 - 1,905 mm
M - Max Lift Height (Screw Pad & 63mm Adapter):	75.5" - 77.5" / 1,917 mm - 1,968 mm
N - Drive-Thru Clearance: (NARROW CONFIGURATION)	93" / 2362 mm
N - Drive-Thru Clearance: (WIDE CONFIGURATION)	106" / 2692 mm
Screw Pad Adjustment	2" / 51 mm.
Motor (**)	220 VAC / 60 Hz / 1 Ph
Time of full Rise:	45 sec
Max Load Per Arm:	2,500 lbs. / 1,134 kg

* An optional bolt-on top extension for columns raises the overhead bar an additional 24". Must be ordered from factory at time of order.

** Special Voltages Available Upon Request.

The design, material and specifications are subject to change without notice.