



Brand: BendPak
Model: XPR-10AS-168
Description: 10,000-lb. Capacity Two-Post Lift / Screw Pad Set / Asymmetric Clearfloor / Extended Length

The Perfect Car Lift Solution

The safe and rugged XPR-10AS-168 two-post lift features extended height columns for added overhead clearance and an adjustable top beam to accommodate wide or narrow installation set-ups. The adjustable width design allows you to choose the best setting for your specific space or vehicle lifting requirements.

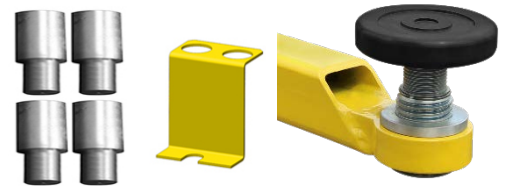
Our XPR-10AS-168 asymmetric two-post lift offers the convenience of wide or narrow installation wrapped up into one configurable package. This durable, safe, and reliable car lift features an expandable top beam and Tru-Metric arms to suit virtually every vehicle lifting requirement. The simple, yet highly sophisticated lift design keeps service and maintenance costs to a minimum, delivering lower operating expenses and higher productivity.

This true asymmetric lift features 30° rotated columns for added door-opening clearance and interior car access. The exclusive Tru-Metric carriage and arm design combines to give users the ability to load vehicles either symmetrically (centerline of vehicle at column) or asymmetrically (centerline of vehicle behind column).

The XPR-10AS-168 features double-telescoping screw pads with gouge and tear-resistant polyurethane pads to help increase workplace safety and reduce operating costs. A set of our 63 mm stacking adapters included as standard accessories.

Features

- 10,000-lb. lifting capacity
- Expandable top beam accommodates wide or narrow drive-thru configuration
- Double-telescoping screw pads offer increased versatility
- Padded overhead safety shutoff bar
- Exclusive Tru-Metric arm design for more versatile arm positioning
- 30° rotated single-piece columns
- Single-point safety release
- Drop-end arms provide a lower pad height
- Dual hydraulic direct-drive cylinders
- Oversized 53" tall carriage for superior strength and durability
- Electric / hydraulic power system
- Large, 17" x 19" A36 steel base plate
- Self-lubricating dura-glide UHMW polyethylene bearing system
- Safety locks in each column spaced every 3"
- Automatic arm restraints
- Heavy-duty 1/2" aircraft-quality equalizer cables
- Oversized cable sheave diameter reduces cable fatigue
- 4-piece 63mm stackable adapter set comes standard
- Triple-telescoping arm design
- ETL Approved



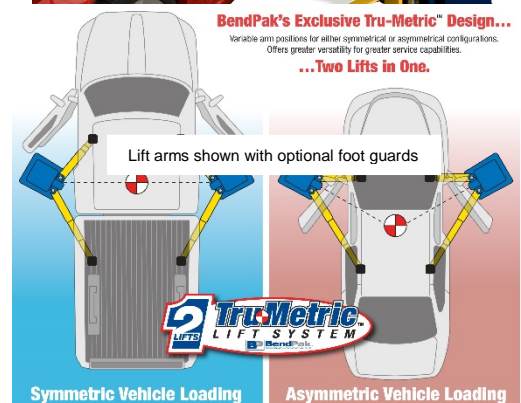
Featuring double-telescoping screw pads and stackable risers



BendPak's Exclusive Tru-Metric™ Design...

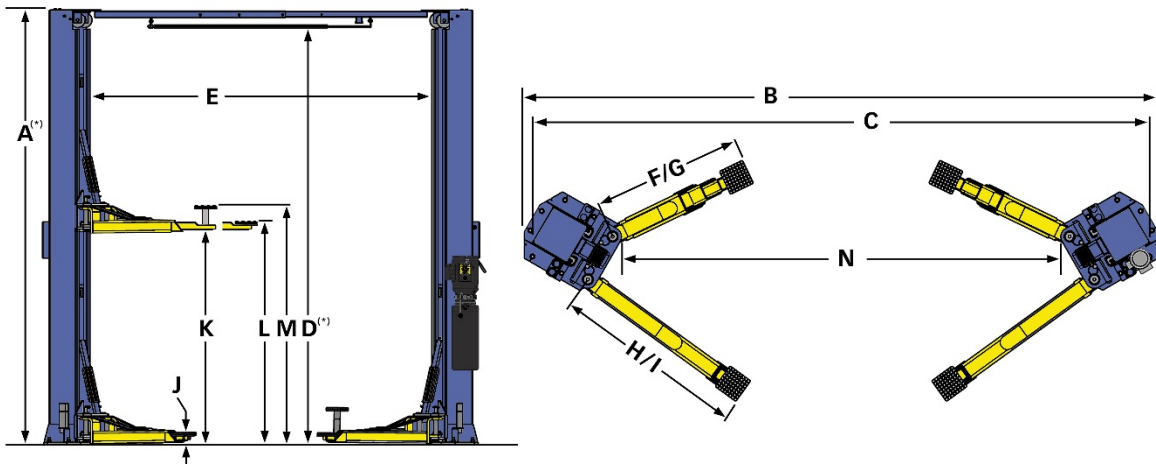
Variable arm positions for either symmetrical or asymmetrical configurations. Offers greater versatility for greater service capabilities.

...Two Lifts in One.



Symmetric Vehicle Loading

Asymmetric Vehicle Loading



TWO-POST MODEL / HEAVY-DUTY / ASYMMETRIC

MODEL	XPR-10AS
Lifting Capacity*	10,000 lbs. / 4,536 kg
*Max Capacity / Front Axle	5,000 lbs. / 2,268 kg
*Max Capacity / Rear Axle	5,000 lbs. / 2,268 kg
A - Height Overall: (*)	145" / 3,683 mm
B - Width Overall - NARROW CONFIGURATION	137" / 3,480 mm
B - Width Overall - WIDE CONFIGURATION	145" / 3,683 mm
C - Width Outside of Columns: (NARROW CONFIGURATION)	133" / 3,378 mm
C - Width Outside of Columns: (WIDE CONFIGURATION)	141" / 3,581 mm
D - Floor To Overhead Switch: (*)	141" / 3,581 mm
E - Inside Columns: (NARROW CONFIGURATION)	104" / 2,642 mm
E - Inside Columns: (WIDE CONFIGURATION)	112" / 2,845 mm
F - Reach (Front Arm Min.):	23-1/2" / 597 mm
G - Reach (Front Arm Max.):	45-1/2" / 1,156 mm
H - Reach (Rear Arm Min.):	42-1/2" / 1,079 mm
I - Reach (Rear Arm Max.):	60" / 1,524 mm
J - Min. Pad Height:	4.25" - 6-3/4" / 108 mm
K - Rise:	69" / 1,753 mm
L - Max Lift Height (Screw Pad Only):	73" - 75" / 1,854 - 1,905 mm
M - Max Lift Height (Screw Pad & 63mm Adapter):	75.5" - 77.5" / 1,917 mm - 1,968 mm
N - Drive-Thru Clearance: (NARROW CONFIGURATION)	94" / 2,388 mm
N - Drive-Thru Clearance: (WIDE CONFIGURATION)	102" / 2,591 mm
Screw Pad Adjustment	2" / 51 mm
Motor (**)	220 VAC / 60 Hz / 1 Ph
Time of full Rise:	45 sec
Max Load Per Arm:	2,500 lbs. / 1,134 kg

* An optional bolt-on top extension for columns raises the overhead bar an additional 24". Must be ordered from factory at time of order.

** Special Voltages Available Upon Request.

The design, material and specifications are subject to change without notice.